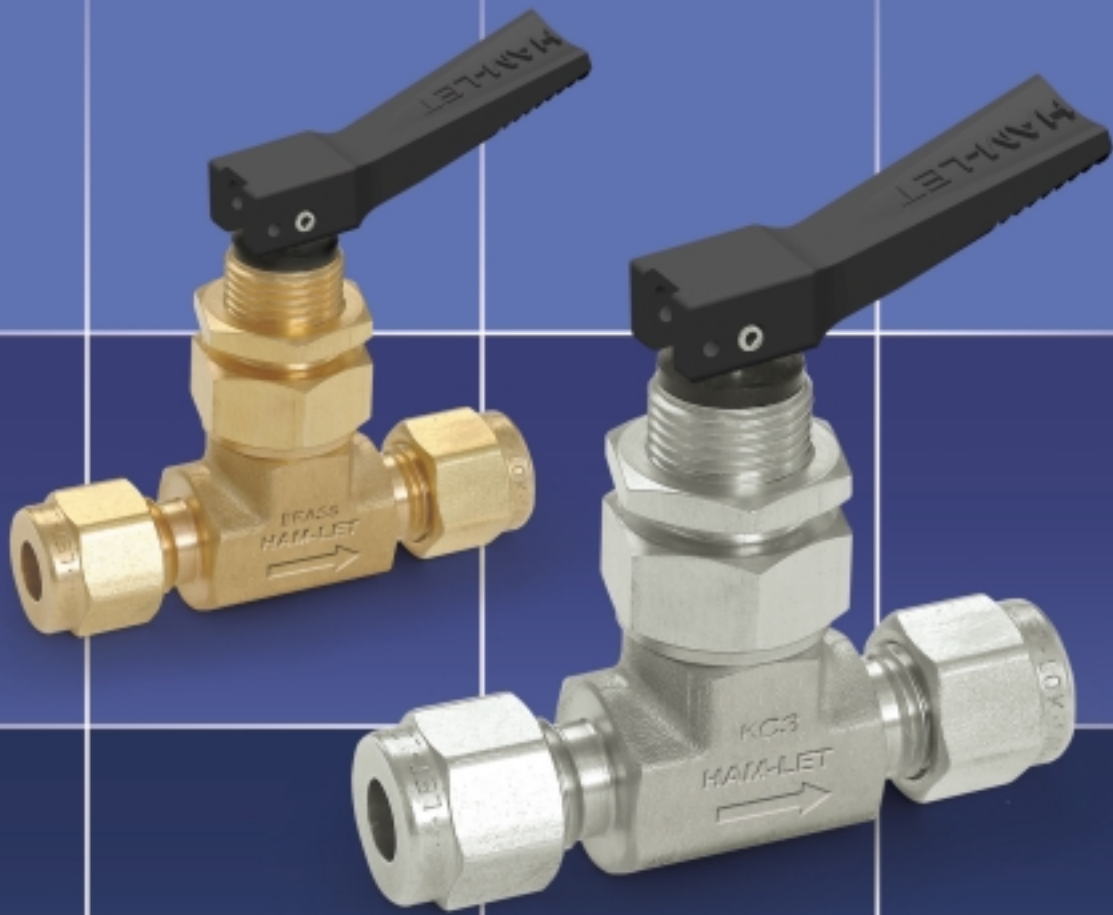


H1200 SERIES

HAM-LET TOGGLE VALVE



- Compact rugged Design
- Panel mountable
- Quick On/Off service
- Straight and angle patterns available
- Let-Lok, male and female NPT ends available
- Maximum pressure 200 psig
- Maximum Temperature 232°C (450°F)



H1200 - Materials of Construction

Item No.	Components	QTY.	Valve Body Material	
			316 St.St.	Brass
1	Handle	1	Nylon	
2	Roll Pin	1	St.St. 420 SS	
3	Panel Nut	1	St.St. ASTM A-276	Brass ASTM B-16
4	Washer	1	Nylon	
5	Packing Nut	1	St.St. ASTM A-276	Brass ASTM B-16
6	Thrust Washer	1	N/A	Nylon
7	Spring	1	302SS / A313	
8	Stem	1	St.St. ASTM A-276	
9	O-Ring	1	Fluorosarbon FKM	
10	Stem Seat	1	PTFE [®]	
11	Body	1	St.St. ASTM A-182	Brass ASTM B-283
12	Front Ferrule	2	St.St. ASTM A-276	Brass ASTM B-16
13	Back Ferrule	2	St.St. ASTM A-276	Brass ASTM B-16
14	Nut	2	St.St. ASTM A-276	Brass ASTM B-16

Operation

Moving the handle 90 degrees upwards - opens the valve to full flow and locks it firmly in the Open position. Changing the handle position downwards - closes the valve by the stem with the spring load. The PTFE soft seat provides positive, repetitive, seal.

Normally Closed automatic valves can be provided per request. In this valve the toggle will close the valve when not held by hand.

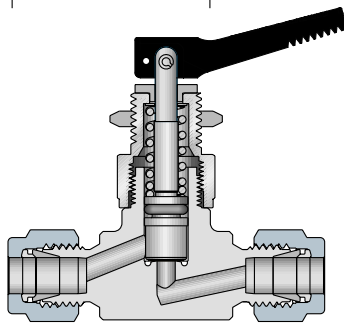
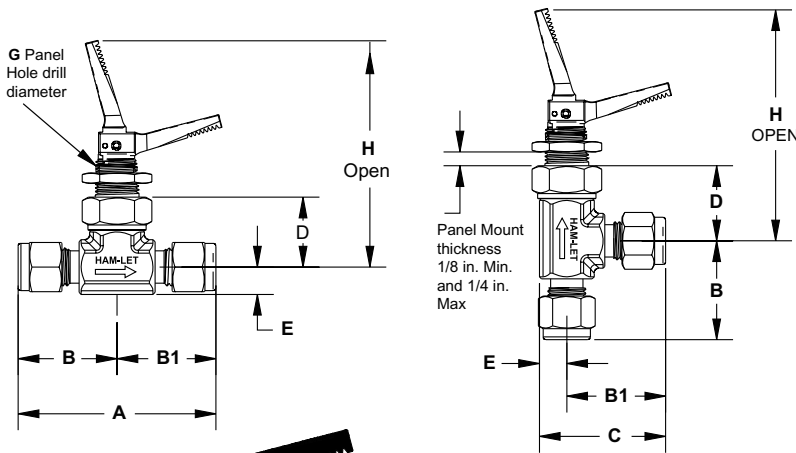
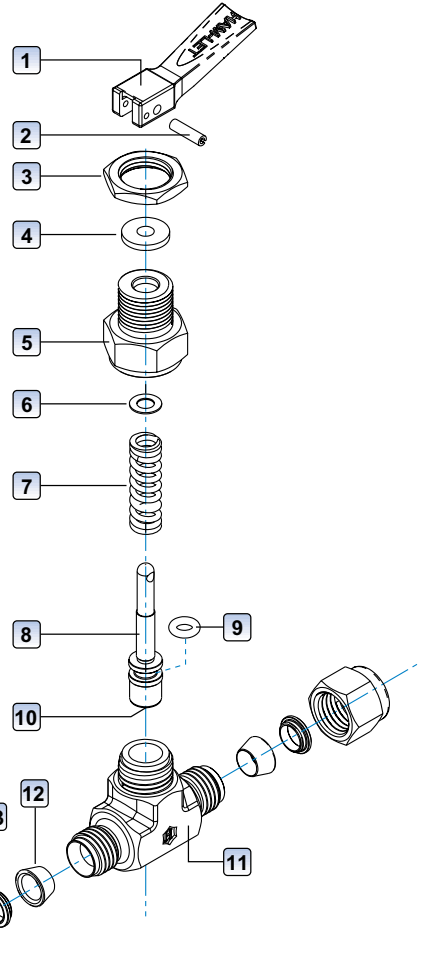


Table of Dimensions (mm)

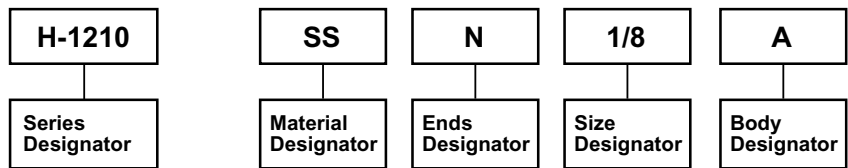
End Connetion		Cv	Orifice		A	B	B1	C	D	E	G	H (Open)
Type	Size		inch	mm								
Female NPT	1/8	0.20	0.13	3.28	41.20	20.6	20.60	N/A	21.80	7.95	13.50	65.5
Male NPT	1/8	0.11	0.10	2.50	43.70	21.85	21.85	29.75	21.80	7.95	13.50	65.5
Male NPT	1/4	0.20	0.13	3.28	49.80	24.90	24.90	32.85	21.80	7.95	13.50	65.5
LET-LOK	1/8	0.11	0.09	2.30	49.80	24.90	24.90	32.85	21.80	7.95	13.50	65.5
LET-LOK	1/4	0.20	0.13	3.28	57.40	28.70	28.70	36.65	21.80	7.95	13.50	65.5

O-Rings

Different materials are available for special applications.

O-RING METAL	O-RING DESCRIPTION
Buna N	BN
EPDM, EPM	EP
Neoprene	NE
Viton	VI
NBR, Nitrile	NB, NI
Silicon	SI

How to Order:



H1200 - Let-Lok Ends
 H1210 - Female Ends NPT
 H1280 - Male Ends NPT

SS = 316SS
 B = Brass

L = Let-Lok
 N = NPT

1/8
 1/4

A = Angle
 S = Straight

Testing: 100% of the valves are factory tested with a Nitrogen pressure at 200 psig (13 bar) for across the seat or external leak, using bubbles generator liquid.

® Registered trademark: PTFE TM Dupont

For your safety: The design of the total system must be analyzed when selecting components. It is the responsibility of the system designer and/or user to consider and define components function, rating and material compatibility together with installation, operation and maintenance procedures.