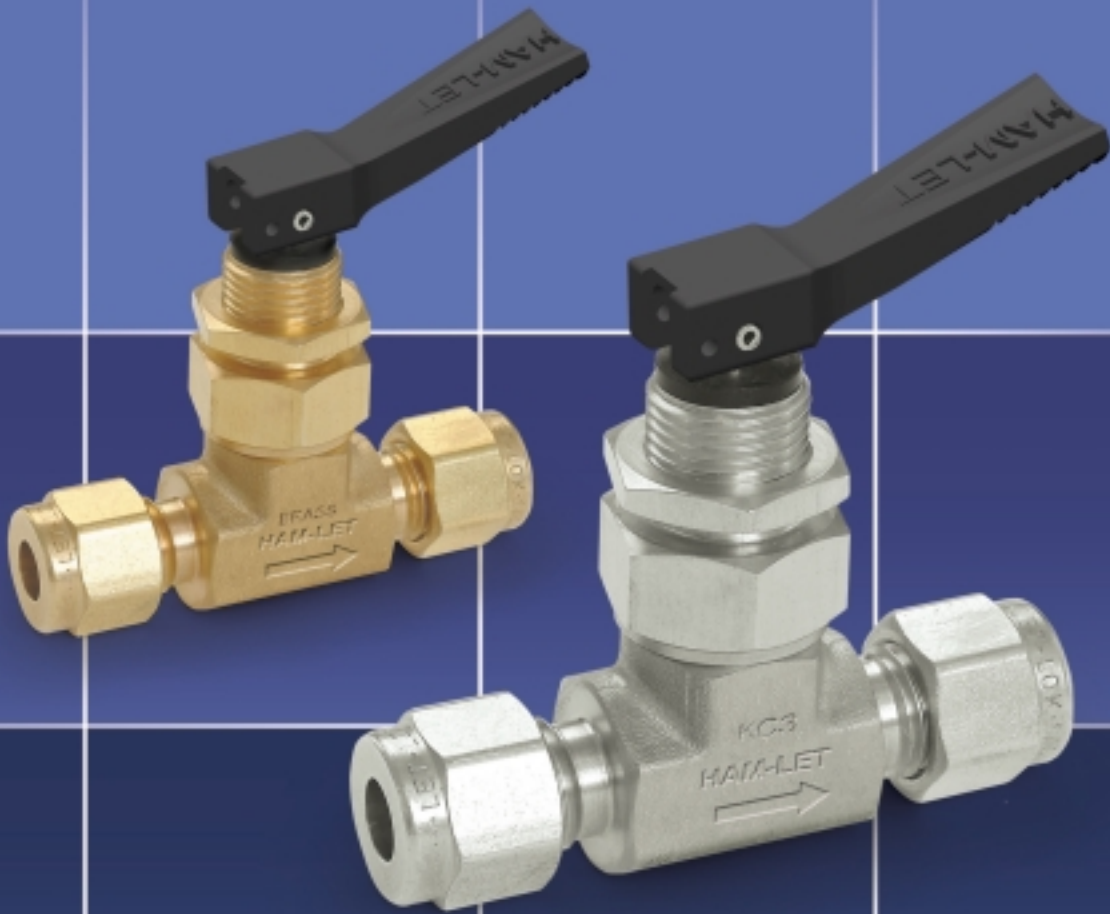


H1200 SERIES

HAM-LET TOGGLE VALVE



- Compact rugged Design
- Panel mountable
- Quick On/Off service
- Straight and angle patterns available
- Let-Lok, male and female NPT ends available
- Maximum pressure 300 psig at 20°C (70°F)
- Maximum Temperature -28°C to 95°C (-20°F to 200°F)
- Orifice size from: 0.09-0.13 inch (2.3 - 3.28mm)



H1200 - Materials of Construction

Item No.	Components	QTY.	Valve Body Material	
			316 St.St.	Brass
1	Handle	1	Nylon	
2	Roll Pin	1	St.St. 420 SS	
3	Panel Nut	1	St.St. ASTM A-276	Brass ASTM B-16
4	Washer	1	Nylon	
5	Packing Nut	1	St.St. ASTM A-276	Brass ASTM B-16
6	Thrust Washer	1	N/A	Nylon
7	Spring	1	302SS / A313	
8	Stem	1	St.St. ASTM A-276	
9	O-Ring	1	Viton (Fluorocarbon FKM)	
10	Stem Seat	1	PTFE [®]	
11	Body	1	St.St. ASTM A-182	Brass ASTM B-283
12	Front Ferrule	2	St.St. ASTM A-276	Brass ASTM B-16
13	Back Ferrule	2	St.St. ASTM A-276	Brass ASTM B-16
14	Nut	2	St.St. ASTM A-276	Brass ASTM B-16

Operation

Moving the handle 90 degrees upwards - opens the valve to full flow and locks it firmly in the Open position. Changing the handle position downwards - closes the valve by the stem with the spring load. The PTFE soft seat provides positive, repetitive, seal.

Normally Closed automatic valves can be provided per request. In this valve the toggle will close the valve when not held by hand.

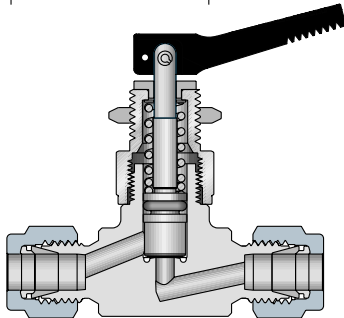
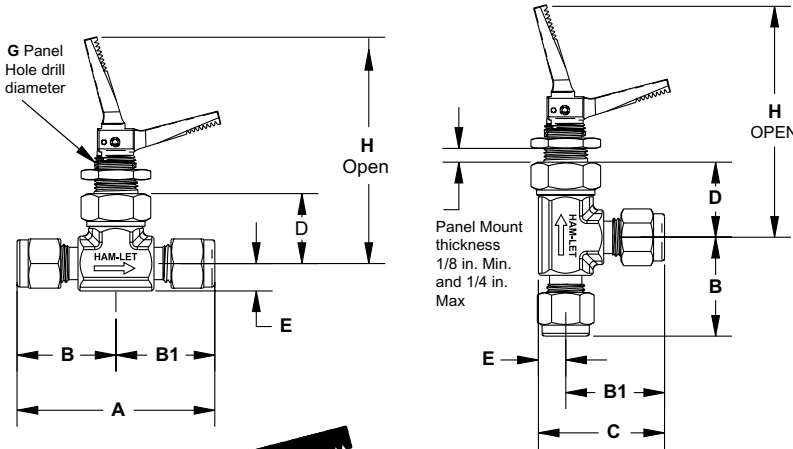
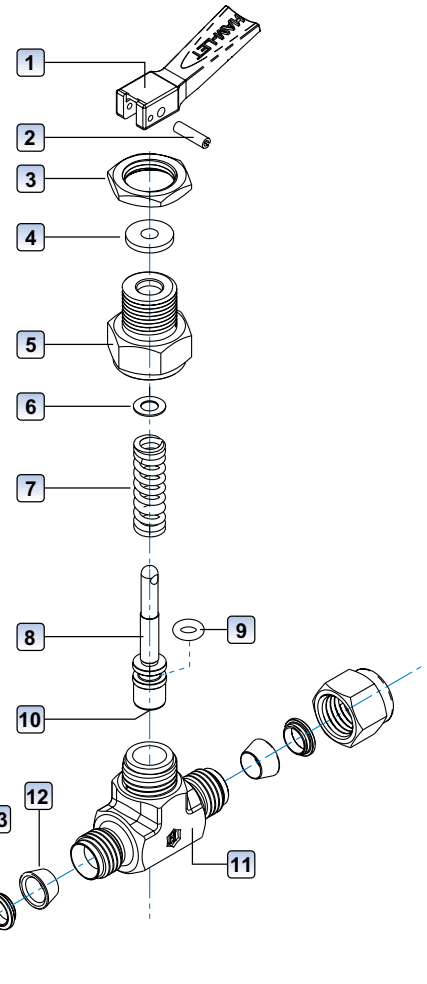


Table of Dimensions (mm)

End Connetion		Cv	Orifice		A	B	B1	C	D	E	G	H (Open)
Type	Size		inch	mm								
Female NPT	1/8	0.20	0.13	3.28	41.20	20.6	20.60	N/A	21.80	7.95	13.50	65.5
Male NPT	1/8	0.11	0.10	2.50	43.70	21.85	21.85	29.75	21.80	7.95	13.50	65.5
Male NPT	1/4	0.20	0.13	3.28	49.80	24.90	24.90	32.85	21.80	7.95	13.50	65.5
LET-LOK	1/8	0.11	0.09	2.30	49.80	24.90	24.90	32.85	21.80	7.95	13.50	65.5
LET-LOK	1/4	0.20	0.13	3.28	57.40	28.70	28.70	36.65	21.80	7.95	13.50	65.5

O-Rings

Different materials are available for special applications.

O-Ring Material	O-RING Description
Buna N	BN
EPDM, EPM	EP
Neoprene	NE
Viton	VI (Fluorocarbon FKM)
NBR	NB

How to Order:

H-1210	SS	N	1/8	A	OPTIONAL:	
Series Designator	Material Designator	Ends Designator	Size Designator	Body Designator	Color Handle	O-ring Material
H1200 - Let-Lok Ends H1210 - Female Ends NPT H1280 - Male Ends NPT	SS - 316SS B - Brass	L - Let-Lok N - NPT	1/8 1/4	A - Angle S - Straight	Black Handle are standard S - Black B - Blue G - Green O - Orange R - Red	Viton O-ring are standard VI - Viton BN - Buna N EP - EPDM, EPM NE - Neoprene NB - NBR

Testing: 100% of the valves are factory tested with a Nitrogen pressure at 200 psig (13 bar) for across the seat or external leak, using bubbles generator liquid.

cleaning / packaging: Ham-Let H1200 valves are treated with Ham-Let Passivation Cleaning and Packaging (Procedure 8075). for other end connections are available as an option.

For your safety: The design of the total system must be analyzed when selecting components. It is the responsibility of the system designer and/or user to consider and define components function, rating and material compatibility together with installation, operation and maintenance procedures.